



#1 CHOICE OF HOSPITALS AND MOTHERS

Symphony[®]

BREASTPUMP

BOMBA DE LACTANCIA

TIRE-LAIT

Instructions for use

Instrucciones de uso

Mode d'emploi



Table of Contents - English

Important Safeguards	1
Uses	2
Cleaning & Sterilization	2
Hygiene	2
Preparation	2
Hospital Sterilization	3
Home Sanitizing	3
After Each Use	3
Tubing Care	4
Battery Care	4
Symphony Parts List	5
Symphony Assembly & Operation	6-11
Symphony 2-Phase Pumping Protocol	12-14
Storing Breastmilk	15
Thawing Breastmilk	16
Troubleshooting	16
Symphony Technical Description	17

Índice - Español

Importantes medidas de seguridad	18-19
Aplicaciones	19
Limpieza y esterilización	19
Higiene	20
Preparación	20
Esterilización en el hospital	20
Desinfección en casa	21
Después de cada uso	21
Cuidado de las mangueras	21-22
Cuidado de las baterías	22
Lista de piezas de la bomba Symphony	23
Armado y operación de la bomba de lactancia Symphony®	24-29
Protocolo de bombeo en dos fases de la bomba de lactancia Symphony	30-32
Almacenamiento de la leche materna	33
Descongelación de la leche materna	34
Identificación y resolución de problemas	35
Descripción técnica de la bomba Symphony	36

Table des matières – Français

Avvertissements importants	37-38
Utilisations du tire-lait	38
Désinfection et stérilisation	38
Hygiène	39
Préparation	39
Stérilisation à l'hôpital	39
Désinfection à domicile	40
Après chaque utilisation	40
Entretien de la tubulure	40-41
Entretien de la batterie	41
Liste des pièces	42
Assemblage et utilisation du tire-lait Symphony®	43-48
Protocole d'expression à double phase avec le tire-lait Symphony	49-51
Conservation du lait maternel	52
Décongélation du lait maternel	53
Trucs de dépannage	54
Description technique du tire-lait Symphony®	55



IMPORTANT SAFEGUARDS

When using electrical devices, basic safety precautions should always be followed, including the following:

READ ALL INSTRUCTIONS BEFORE USE

DANGER: To reduce the risk of electrocution:

1. Always unplug electrical devices immediately after using. Separation from the mains is only assured through the disconnection of the plug and socket connection.
2. Do not use while bathing or showering.
3. Do not place in or drop motor unit into water or other liquid.
4. Do not reach for any electrical device if it has fallen into water. Unplug immediately.
5. Do not store or use this product where it can fall or be pulled into a tub or sink.

WARNING: To reduce the risk of burns, electrocution, fire or injury to persons:

1. The pump should never be left unattended when plugged into an electric outlet.
2. Use the pump only for its intended use as described in this manual.
3. Do not use accessory attachments not recommended by the manufacturer, as this may cause hazards.
4. Never operate an electrical device if it has a damaged cord or plug, if it is not working properly, if it has been dropped or damaged, or if it has been dropped into water.
5. Keep the cord and all components away from heated surfaces.
6. Do not use outdoors.
7. Only use the electric cord that comes with the Lactina or Symphony Breastpump.
8. The kits are personal care items and are not to be shared between mothers without proper sterilization to prevent the risk of cross contamination.
9. The pump should be cleaned as needed with soapy water or Cavicide® solution. Do not spray or pour liquid directly onto the pump.
10. Supervision is necessary when this product is used in the vicinity of children.
11. Make sure the voltage of the device is compatible with the power source.
12. Pump only with the motor in an upright position.
13. Do not use while sleeping or overly drowsy.
14. There are no user-serviceable parts inside the Lactina® or Symphony® Breastpump. DO NOT ATTEMPT TO REPAIR THE LACTINA OR SYMPHONY BREASTPUMP YOURSELF.

SAVE THESE INSTRUCTIONS

Uses

- To initiate and maintain a milk supply as well as collect breastmilk at work or during other absences from the baby.
- To initiate and maintain a milk supply if direct breastfeeding is not possible.
- To relieve engorgement. Single pumping with simultaneous massage is helpful to relieve engorgement.

Cleaning and Sterilization

Unless instructed otherwise by your health care provider.

IMPORTANT

This product's kit is a single-user item unless properly sterilized between users. Use by more than one user without adequate sterilization may pose a health risk and voids the warranty.

Hygiene

Wash hands before touching breasts or containers, and avoid touching the inside of containers or lids.



Preparation

Follow these cleaning instructions unless you are told otherwise by your healthcare professional. Prior to cleaning, take apart all parts of your breastpump accessory kit. Be especially sure to remove the yellow valve from the breastshield and separate the white membrane from the valve prior to cleaning.

Prior To First Use

The Symphony sanitized version does not require washing before first use.

To Sterilize in the Hospital:

All disassembled parts can be autoclaved to a maximum of 272° F for 3 minutes at 29 PSIG or 250° F for 15-20 minutes at 15 PSIG. *If autoclaved membrane caps may require more force to attach to pump.*

To avoid damage during and immediately after sterilization:

- Sterilize parts without applying external pressure to them.
- Allow parts to cool before applying external pressure.

If gas sterilization is used, residual testing is recommended to determine the proper length of aeration.

To Sanitize at Home:

Disassemble, refer to diagram on page 6. Sanitize by boiling for 10 minutes.

After each use:

- Disassemble and wash all parts that come in contact with the breast and milk in warm soapy water.
- Rinse in clear water.
- Air-dry on clean towel and cover parts when not in use.

All parts may also be washed in top rack of dishwasher.

For Quicker Cleaning:

Medela offers Quick Clean™ Micro-Steam™ Bags for daily kit disinfection.

Tubing Care:

Inspect tubing after each pumping session for condensation and or milk.

If condensation appears in tubing:

To eliminate condensation after you have completed pumping, continue running the pump with the tubing(s) attached for another 1-2 minutes or until dry, while you attend to storing your pumped breastmilk.

If milk appears in tubing:

1. Turn off the pump and unplug from power source.
2. Remove and disassemble the tubing, protective membrane and membrane cap. Wash in soapy water then rinse in cold clear water.
3. Shake water droplets out and hang to air-dry. For faster drying, attach tubings to pump and run pump 1-2 minutes or until dry, or pour a small amount of isopropyl alcohol through the tubings to dry.
4. Make sure that valve membranes are undamaged and clean. Replace if necessary.
5. Use a damp cloth to wipe the pump and the diaphragm. Do not immerse the pump in water.
6. When components are completely dry, reassemble breastpump and kit.

Important Battery Care

Charge Symphony® pump batteries for 12 hours upon receipt.

Pump may be used while charging.

Optimal battery life is achieved when:

- Batteries are not fully drained on a regular basis
- Pump is allowed to charge when not in use

If unable to charge regularly, charge for 12 hours every 2 months at minimum

Pumping time with a completely charged battery is approximately 60 minutes.

Symphony® Breastpump Parts



Item

Order Number

1.	PersonalFit™ Breastshield, Standard (24mm).....	87073
2.	PersonalFit Breastshield Connector	87071
3.	Valve & Membrane	8000001
4.	Collection Connector	8117009
5.	Solid Container Lid	8107057
6.	Tubing.....	8107168
7.	Membrane Cap	8100769
8.	Protective Membrane.....	8200094
9.	Breastfeeding Information Guide.....	1907200
10.	Symphony Instruction Manual	1907724
11.	Symphony Container Stand	8100552
12.	Symphony Vehicle Lighter Adapter	67173

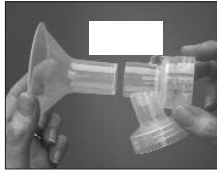
Call for pricing

Symphony® Assembly & Operation

Kit Assembly

1 Follow cleaning instructions on pages 2-3.

2 Insert the small end of the Breastshields into the small end of the connectors. (Prior to cleaning, separate these two pieces.)



3 Snap white membranes onto yellow valves until membrane lies completely flat. (Prior to cleaning, separate these two pieces.)



4 Push assembled valves and membranes onto the breastshield connector.



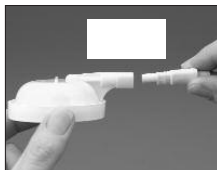
5 Screw containers onto the breastshield connector.



6 Insert hard yellow ends of tubing into openings in the breastshield connector.



7 Assemble protective membranes onto membrane caps. Push triangular ends of tubing into the small openings in the membrane caps.



8 To unlock case, press the oval release button on top of the Symphony® Breastpump. Keeping button depressed, lift up on the handle to open case and access pumping mechanisms.



9 Push membrane/cap into place on pumping mechanism. A “click” will be heard once properly seated. To ensure proper fit, be sure to center the membrane caps’ tube ports directly over the crevice on the pump housing.



10 Power the Symphony Breastpump (or charge its battery if included) by connecting the power cord to a wall outlet and the socket in the back of the pump.



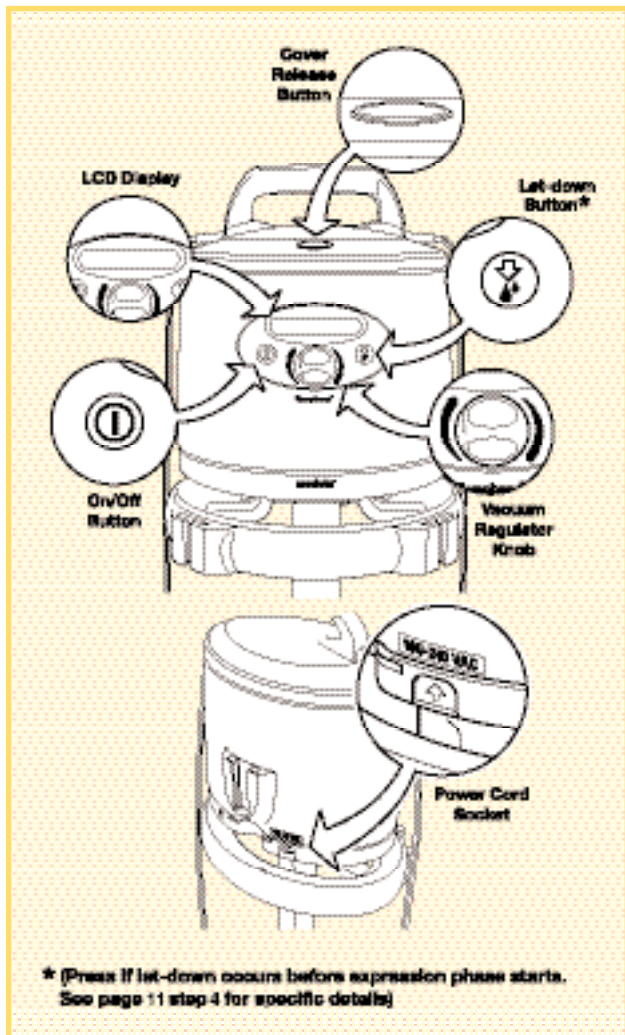
11 Center breastshields over nipples. Switch the breastpump on to begin the Stimulation phase by pressing the power button. Vacuum may be adjusted to your comfort level by turning the vacuum regulator knob. After two minutes, the Stimulation phase will automatically change to the Expression phase and you may wish to adjust the vacuum level for comfort. To single pump, simply remove one of the breastshields from your breast.



Important Note: Kits sold separately. For a complete list of kits that are compatible with the Symphony pump, please refer to the Medela Product Catalog or contact Customer Service at 1-888-633-3528.

Important Note: If you experience discomfort, contact your lactation professional as you may need a larger breastshield or other advice. To locate Medela products or a breastfeeding specialist in your area call 1-800-TELL YOU.

Symphony® Controls



Symphony® Program Cards

There are two versions of the Symphony Program Card: the Original Symphony Program Card and the Symphony 2.0 Program Card. The following information is instructions for either card.

Original Symphony Program Card

The original Symphony Program Card is programmed to operate the 2-Phase Expression.

1 **LCD Display.**

When powered off and connected to A/C power supply, the LCD Display will indicate "Mains". When batteries are used to power the Symphony, the LCD Display will remain blank until powered on. The vacuum setting is indicated on the LCD Display with Drops (Stimulation) and Bars (Expression).



2 **Begin in Stimulation Phase.**

Start the pump by pressing the on/off button. The pump will immediately begin pumping in the Stimulation Phase. The initial vacuum level will be indicated by 1 drop on the LCD Display. Stimulation Phase is always limited to two minutes.



3 **Switch to Expression Phase.**

The pump will switch to Expression Phase by one of two ways: 1) automatically, after two minute Stimulation Phase is complete, or 2) by pressing the let-down button. You should press the let-down button immediately after milk ejection and continue pumping in the Expression Phase.



4 **Vacuum Setting.**

When switching from Stimulation to Expression, the pump automatically increases the vacuum setting by adding 3 Bars to the last Stimulation setting. *This vacuum level can be increased by using the Vacuum Regulator Knob.



Symphony® 2.0 Program Card

The Symphony 2.0 Program Card is the second generation program card. It is programmed to operate the 2-Phase Expression similar to the Original Symphony Program Card. Additionally, there are some new features available with the Symphony 2.0 Program Card:

1 **Program Card Name Displayed on LCD Display.**

The Symphony 2.0 Program Card displays the name of the card (Symphony 2.0) on the LCD display when the pump is powered off and connected to A/C power supply. When batteries are used to power the Symphony, the LCD Display will remain blank until powered on.



2 **Minimum Start Vacuum Setting.**

The Symphony 2.0 Program Card will start the pump in the Stimulation Phase. The initial vacuum setting when powering on the pump is visually indicated with 3 drops on the LCD screen. The vacuum setting can be increased or decreased by using the Vacuum Regulator Knob.



3 **Ramp-Up Transition from Stimulation to Expression Phase.**

When switching from Stimulation to Expression Phase, the Symphony 2.0 Program Card increases the vacuum setting by adding 3 bars to the last Stimulation setting in a stair-stepped fashion. The 3 additional bars and increased vacuum setting occur gradually over a 4-second period. The ramp-up transition eliminates potential discomfort of an immediate vacuum setting increase.



4 **Use Let-Down Button to Switch Back to Stimulation Phase.**

The Symphony pump can switch from Stimulation to Expression Phase in one of two ways: 1) automatically after 2 minutes, or 2) manually through pressing the let-down button. With the Symphony 2.0 Program Card, the let-down button can also be used to switch back to Stimulation Phase. For more information on this feature, please review the Symphony 2-Phase Pumping Protocol information in this booklet.



Note: Stimulation Phase is always limited to two minutes. If milk ejection occurs before the 2 minute Stimulation Phase is over, press the let-down button and continue pumping in Expression Phase

5 **Program Remembers Last Stimulation Vacuum Setting.**

When switching back to Stimulation Phase, the Symphony 2.0 Program Card remembers the last Stimulation Phase vacuum setting prior to switching to Expression Phase and returns to this setting in Stimulation Phase.



Symphony 2-Phase Pumping Protocol

Maximum Comfort Vacuum™

Research has shown that you will pump more efficiently—meaning get more milk in less time—when pumping at Maximum Comfort Vacuum in the Expression Phase.

1 **Begin in Stimulation Phase**

First, start the pump by pressing the on/off button. The pump will immediately begin pumping in Stimulation Phase of the 2-Phase Expression.



2 **Switch to Expression Phase**

Once your milk starts to flow, or you sense milk ejection, press the let-down button to switch to the Expression Phase for the most effective pumping and removal of milk. If you do not press the let-down button, the pump will automatically switch to the Expression Phase after two minutes.



3 **Setting your Maximum Comfort Vacuum**

Maximum Comfort Vacuum is the highest vacuum you can use and still feel comfortable; it is different for every mom. To find your maximum comfort vacuum, increase the vacuum by turning the Vacuum Regulator Knob clockwise until pumping feels slightly uncomfortable—never painful. Then, decrease the vacuum one bar by turning the knob counterclockwise.



Symphony 2.0 Program Card – Addressing Special Needs

The Symphony 2.0 Program Card includes a feature that allows moms to switch back to the Stimulation Phase by pressing the let-down button. Some moms find this feature beneficial in addressing the following special needs. Please note that the Stimulation Phase is always limited to two minutes.

1 **No milk ejection occurs in the first two minutes of the Stimulation Phase**

If your milk ejection has not occurred in the first two minutes of the Stimulation Phase and the pump automatically switches to the Expression Phase, press the let-down button once to return to the Stimulation Phase. If you have not achieved a milk ejection after two consecutive Stimulation Phases, take a break, relax and try again in 15-30 minutes.

2 **Engorgement**

If, due to engorgement, you are experiencing difficulties breastfeeding or expressing milk, careful use of the Stimulation Phase may help to provide some relief. If your milk ejection does not occur in the first two minutes of the Stimulation Phase and the pump automatically switches to the Expression Phase, press the let-down button to return to the Stimulation Phase. Repeat this process until your milk ejection occurs. After milk ejection you may find it beneficial to remain in the Stimulation Phase until enough milk has been expressed so that the nipple and areola area are not as hard and engorged. After initially draining the breast to relieve the discomfort, follow up with breastfeeding or pumping and expressing in the Expression Phase to adequately drain the breast. Although Medela strongly encourages pumping in the Expression Phase after milk ejection at Maximum Comfort Vacuum™ for the most effective removal of milk, it may be necessary to address temporary discomfort issues by pumping in the Stimulation Phase. If your engorgement condition persists or worsens, consult your physician or lactation consultant.

3 Sore Nipples

If, due to sore nipples, you are experiencing discomfort while pumping in the Expression Phase, careful use of the Stimulation Phase may help to provide some relief. You can return to the Stimulation Phase at any time by pressing the let-down button. Although Medela strongly encourages pumping in the Expression Phase after milk ejection at Maximum Comfort Vacuum™ for the most effective removal of milk, it may be beneficial to address temporary discomfort issues by pumping in the Stimulation Phase. If your sore nipple condition persists or worsens, consult your physician or lactation consultant.

Important Note:

For the most effective pumping and removal of milk, Medela strongly encourages pumping in the Expression Phase after milk ejection at Maximum Comfort Vacuum™.

Storing Breastmilk

Check with your hospital for specific storage instructions.

When freezing, do not fill containers more than 3/4 full to allow space for expansion. Label containers with the date of pumping.

Breastmilk Storage (For Healthy Term Babies)					
	Room Temperature	Cooler with 3 Frozen Ice Packs	Refrigerator	Self-contained Refrigerator Freezer Unit	Deep Freezer
Freshly expressed breastmilk	4 hours at 66-72°F (19-22°C) ¹	24 hours at 59°F (15°C) ¹	5-7 days at 32-39°F (0°-4°C) ²	3-4 months ³	6-12 months at 0°F (-19°C) ³
Thawed breastmilk (previously frozen)	Do not store	Do not store	24 hours ⁴	Never refreeze thawed milk	Never refreeze thawed milk

¹ Hamosh M, Ellis L, Pollock D, Henderson T, and Hamosh P: Pediatrics, Vol. 97, No. 4, April 1996. pp 492-497. (4 hours at 77° F/25° C).

² Sosa, Roberto; Barness, Lewis: AJDC, Vol. 141, Jan. 1987.

³ Lawrence R, and Lawrence R: Breastfeeding: A Guide For the Medical Profession, 1999, p.894.

⁴ Arnold L; Recommendations for Collection, Storage and Handling of a Mother's Milk for Her Own Infant in the Hospital Setting, 3rd Edition. The Human Milk Banking Association of North America, Inc. 1999, p. 18.

Important Note: *If the temperature in the room, car or outdoors exceeds 77° F / 25° C, chill milk immediately to preserve freshness.*

Defrosting

- Thaw milk overnight in the refrigerator, or hold the bottle under warm running water to quickly thaw. You can also place the sealed container in a bowl of warm water for 20 minutes to bring it to body temperature.
- Thawed milk is safe in the refrigerator for 24 hours.
Do not refreeze.

Caution:

- Do not thaw frozen breastmilk in a microwave or in a pan of boiling water.
- Never microwave breastmilk. Microwaving can cause severe burns to baby's mouth from hot spots that develop in the milk during microwaving. Microwaving can also change the composition of breastmilk.
- If adding expressed breastmilk to container of already frozen breastmilk, make sure to add a lesser amount than the already frozen amount.

Troubleshooting

If There Is Low or No Suction

- Make sure all connections of kit and breastpump are secure.
- If using a unit with a battery, make sure the battery is charged.
- Make sure membrane is lying flat against valve head. Refer to the assembly instructions.
- Make sure the hard yellow ends of the tubing fit securely into breastshield connectors and the other ends into the ports on the pump connector or membrane caps.
- In the US, call Medela at 800-435-8316 or 815-363-1166. In Canada, call Medela at 800-435-8316 or 905-608-7272. In other countries, contact your local distributor or the location where you purchased your pump. Visit us on the internet at www.medela.com.

Symphony® Technical Description

SAFETY INSTRUCTIONS



Medical Electrical Equipment, Breastpump Model Symphony® 600.0837 and 600.0838
CLASSIFIED WITH RESPECT TO ELECTRIC SHOCK, FIRE AND MECHANICAL HAZARDS ONLY IN ACCORDANCE WITH UL60601-1/CAN/CSA C22.2 No. 601.1 22PL.

PROTECTION CLASS II



(DoubleInsulation)



Type B

VACUUM:

-50mmHg – -250mmHg
-7kPa – -33kPa

POWER SUPPLY:

Conventional Outlet:
100-240 V
50/60 Hz
0.5 A

DC Connection:

12 VDC
25 W
T2.5A



Battery:

2 x 6 V, 1.2 Ah Type: Yuasa NP 1.2-6
Battery(optional): Battery,
DC powered
Charging time=12 hours
Full battery pumping
time=approx. 60 minutes



DISPOSAL:

This breastpump is made of technical plastics and metals that cannot be separated. It must be disposed of in accordance with local regulations.

WARRANTY:

3-years for the unit from the date of delivery, excluding pump set and batteries. The manufacturer is not liable for any damage or consequential damage caused by incorrect operation, inappropriate usage or use by unauthorized persons. Routine checks, servicing and battery exchange may only be carried out by Medela authorized personnel.

DIMENSIONS:

	With Stand	Without Stand
Length	16.1"	8.5"
Width	16.1"	6.1"
Height	35.4"	9.6"

WEIGHT:

With Battery: 6 lbs. 7 oz.
Without Battery: 5 lbs. 1 oz.

ENVIRONMENTAL CONDITIONS FOR OPERATION:

Temperature: +41°F to +104°F
Relative Humidity: 20% to 80%
Atmospheric Pressure: 70 kPa to 106 kPa

ENVIRONMENTAL CONDITIONS TRANSPORT AND STORAGE:

Temperature: -4°F to +122°F
Relative Humidity: 20% to 95%
Atmospheric Pressure: 70 kPa to 106 kPa

STANDARDS:

FDA (GMP)
ISO 9001
ISO 13485
CE (93/42/EEC)

ELECTROMAGNETIC OR OTHER INTERFERENCE:

Complies with IEC 60601-1-2. Unlikely to interfere with other electrical equipment.



IMPORTANTES MEDIDAS DE SEGURIDAD

Al utilizar dispositivos eléctricos deberá tener presente las precauciones básicas de seguridad, como las siguientes:

LEA TODAS LAS INSTRUCCIONES ANTES DE USAR LA BOMBA DE LACTANCIA

PELIGRO: Para reducir el riesgo de electrocución:

1. Siempre desconecte los dispositivos eléctricos inmediatamente después de usarlos. La única forma de asegurar la separación de la línea eléctrica principal es desconectando la clavija de la toma.
2. No use este producto mientras se está bañando o duchando.
3. No sumerja el motor ni permita que caiga en agua o en otros líquidos.
4. No intente coger un dispositivo eléctrico que ha caído al agua. Desconecte el producto de inmediato.
5. No almacene ni use el producto donde puede caer en un lavabo o en una bañera.

ATENCIÓN: Para reducir el riesgo de quemaduras, electrocución, incendio o lesiones:

1. La bomba nunca deberá dejarse sin supervisión si está conectada a una toma eléctrica.
2. Use la bomba únicamente para el fin descrito en este manual.
3. No use accesorios no recomendados por el fabricante, ya que pueden causar peligros.
4. Nunca utilice un dispositivo eléctrico si la clavija o el cordón está dañado, si no funciona correctamente, si ha tenido caídas o daños o si ha caído en agua.
5. Mantenga el cordón y todos los componentes lejos de superficies calientes.
6. No utilice este dispositivo al aire libre.
7. Use únicamente el cordón eléctrico entregado con la bomba de lactancia Lactina o Symphony.
8. Los juegos son artículos de cuidado personal y no deben compartirse entre madres si no se lleva a cabo una esterilización apropiada para evitar el riesgo de contaminación cruzada.
9. La bomba debe limpiarse cuando sea necesario, utilizando agua jabonosa o solución Cavicide®. No rocíe ni vierta líquidos directamente sobre la bomba.
10. Es necesaria una supervisión apropiada cuando se utiliza este producto cerca de niños.

11. Asegúrese de que el voltaje del dispositivo sea compatible con la fuente de alimentación eléctrica.
12. Utilice la bomba únicamente con el motor en posición vertical.
13. No use el producto mientras duerme o si tiene mucho sueño.
14. Las bombas de lactancia Lactina® y Symphony® no tienen piezas que puedan ser reparadas por el usuario. NO INTENTE REPARAR USTED MISMO LA BOMBA DE LACTANCIA LACTINA O SYMPHONY.

GUARDE ESTAS INSTRUCCIONES

Aplicaciones

- Para iniciar y mantener un suministro de leche, y para recolectar la leche materna en el trabajo o en otros períodos en los que está lejos del bebé
- Para iniciar y mantener un suministro de leche cuando no es posible el amamantamiento directo.
- Para aliviar la hinchazón de los senos. La combinación de bombeo sencillo con masaje simultáneo es muy útil para aliviar la hinchazón.

Limpieza y esterilización

Salvo que el personal médico le indique lo contrario.

IMPORTANTE

*Este producto es un artículo de uso individual, salvo que sea debidamente esterilizado entre una usuaria y otra.
El uso de este producto por más de una persona sin esterilización adecuada puede representar riesgos para la salud y anulará la garantía.*

Higiene

Lávese las manos antes de tocar los senos o los recipientes y evite tocar el interior de los recipientes y las tapas.



Preparación

Siga estas instrucciones de limpieza, a menos que un profesional médico le indique lo contrario. Antes de comenzar la limpieza, desarme todas las piezas del conjunto de accesorios de la bomba de lactancia. Antes de iniciar la limpieza, asegúrese de separar la válvula amarilla de la copa para senos y de separar la membrana blanca de la válvula.

Antes del primer uso

La versión de la *Symphony esterilizada* no requiere el lavado antes del primer uso.

Esterilización en el hospital:

Todas las piezas desarmadas pueden esterilizarse en autoclave a una temperatura máxima de 272 °F (133 °C) durante 3 minutos a 29 PSIG (2 bar), o a 250 °F (121 °C) durante 15 minutos a 15 PSIG (1,03 bar). **Si las tapas de las membranas fueron esterilizadas en autoclave, puede que requieran más fuerza para ponerlas en la bomba.**

Para evitar daños durante la esterilización e inmediatamente después de ésta:

- Esterilice las piezas sin aplicarles presión externa.
- Permita que las piezas se enfríen antes de aplicar presión externa.

Si utiliza esterilización con gas, es recomendable efectuar pruebas residuales para determinar el tiempo de aireación apropiado.

Desinfección en casa:

Desarme las piezas (consulte el diagrama en la página 6). Desinfecte las piezas hirviéndolas durante 10 minutos.

Después de cada uso:

- Desarme y lave en agua jabonosa tibia todas las piezas que tengan contacto con el seno y la leche.
- Enjuague con agua limpia.
- Seque al aire sobre una toalla limpia y cubra las piezas cuando no las use. Todas las piezas pueden lavarse en la rejilla superior de una máquina lavaplatos.

Para una limpieza más rápida:

Medela le ofrece bolsas Quick Clean™ Micro-Steam™ para la desinfección diaria del equipo.

Cuidado de las mangueras:

Inspeccione las mangueras después de cada sesión de bombeo para determinar si tienen condensación o leche.

Si aparece condensación en las mangueras

Para eliminar la condensación después que ha terminado de bombear, continúe haciendo funcionar la bomba con la(s) manguera(s) puesta(s) por 1 o 2 minutos o hasta que estén secas, mientras usted se ocupa de almacenar su leche materna.

Si aparece leche en las mangueras:

1. Apague la bomba y desconéctela de la fuente de alimentación eléctrica.
2. Quite y desarme la manguera, la membrana protectora y la tapa de la membrana. Lave las piezas en agua jabonosa y enjuáguelas con agua limpia.
3. Sacuda la manguera para extraer las gotas de agua y cuelgue la manguera para que seque al aire. Para que

las mangueras sequen más rápido, conéctelas a la bomba y encienda la bomba durante uno o dos minutos o hasta que las mangueras queden secas, o bien vierta una pequeña cantidad de alcohol isopropílico por las mangueras para secarlas.

4. Compruebe que las membranas de las válvulas estén limpias y que no tengan daños. Reemplácelas si es necesario.
5. Utilice una tela húmeda para limpiar la bomba y el diafragma. No sumerja la bomba en agua.
6. Vuelva a armar la bomba de lactancia y el conjunto de accesorios cuando los componentes estén totalmente secos.

Información importante para el cuidado de las baterías

Cargue las baterías de la bomba Symphony® durante 12 horas al recibir la unidad.

Puede utilizar la bomba mientras carga las baterías.

Las baterías tendrán un funcionamiento óptimo si observa las siguientes precauciones:

- Si no es descargar por completo las baterías en forma regular.
- Si se cargan las baterías mientras no se utiliza la bomba.

Si no puede cargar las baterías en forma regular, hágalo durante 12 horas al menos cada dos meses.

El tiempo de bombeo con baterías totalmente cargadas es de unos 60 minutos.

Piezas de la bomba de lactancia Symphony®



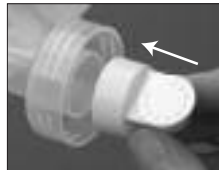
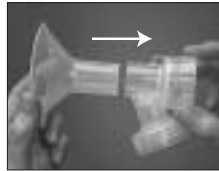
Artículo	Número para pedidos
1. Copa para senos PersonalFit™, normal (24 mm)	87073
2. Conector de copa para senos PersonalFit	87071
3. Válvula y membrana.....	800001
4. Conector de recolección	8117009
5. Tapa sólida para recipiente	8107057
6. Manguera.....	8107168
7. Tapa de membrana	8100769
8. Membrana protectora	8200094
9. Guía informativa sobre lactancia	1907200
10. Instructivo de la bomba de lactancia Symphony	1907556
11. Base para recipiente, bomba Symphony	8100552
12. Adaptador para encendedor de cigarrillos de vehículo, bomba Symphony	67173

Llame para conocer los precios

Armado y operación de la bomba de lactancia Symphony®

Armado de la bomba

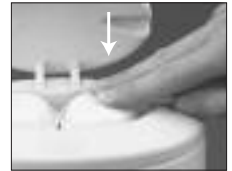
- 1 Siga las instrucciones de limpieza de las páginas 19-21.
- 2 Inserte el extremo pequeño de las copas para senos firmemente en el extremo pequeño de los conectores. (Separe las dos piezas antes de limpiarlas.)
- 3 Coloque las membranas blancas sobre las válvulas amarillas y aplique presión hasta que las membranas queden planas. (Separe las dos piezas antes de limpiarlas.)
- 4 Coloque los conjuntos armados de las válvulas y las membranas en los conectores o las copas para senos.
- 5 Enrosque los recipientes en las copas para senos.
- 6 Inserte los extremos transparentes de la manguera en las aberturas de los conectores o las copas para senos.
- 7 Coloque las membranas protectoras en las tapas de las membranas. Introduzca los extremos triangulares de las mangueras en las aberturas pequeñas de las tapas de las membranas.



- 8 Para abrir el estuche, oprima el botón ovalado en la parte superior de la bomba de lactancia Symphony®. Mantenga oprimido el botón y levante el asa para tener acceso al mecanismo de bombeo



- 9 Presione la membrana/tapa en su lugar sobre el mecanismo de bombeo. Escuchará un "clic" una vez que esté ubicada apropiadamente. Para asegurarse de que calza adecuadamente, cerciórese de centrar los orificios de las mangueras de las tapas de las membranas' directamente en la hendidura de la cubierta de la bomba.



- 10 Suministre energía a la bomba de lactancia Symphony (o cargue las baterías, si se incluyen), conectando el cordón eléctrico a una toma de pared y al receptáculo localizado en la parte trasera de la bomba.



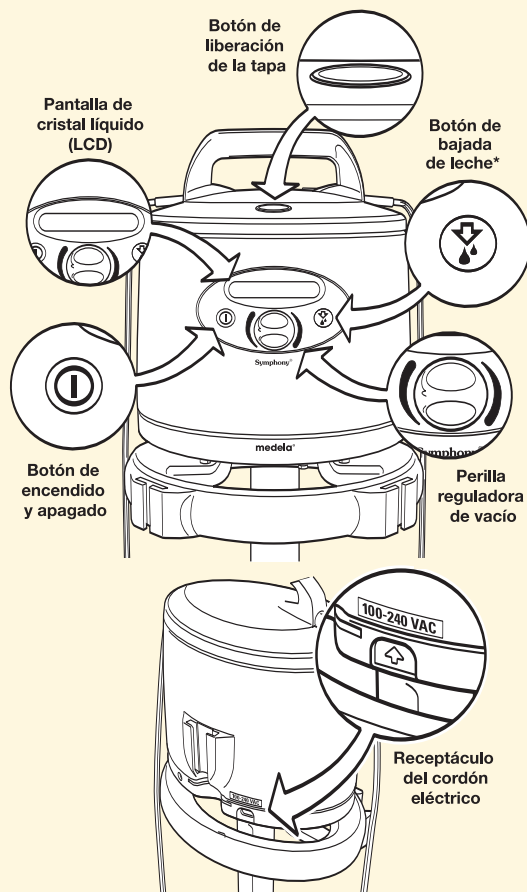
- 11 Centre las copas para senos sobre los pezones. Oprima el botón de encendido para encender la bomba de lactancia e iniciar la fase de estimulación. Gire la perilla reguladora de vacío para ajustar el vacío a un nivel cómodo para usted. Después de dos minutos, la fase de estimulación cambiará automáticamente a la fase de extracción y tal vez quiera ajustar el nivel de vacío a un nivel más cómodo para usted. Para el bombeo sencillo, sólo tiene que quitar una de las copas para senos.



Nota importante: Juegos vendidos por separado. Para conocer la lista completa de juegos compatibles con la bomba de lactancia Symphony, consulte el catálogo de productos Medela o comuníquese con el Departamento de Servicio al Cliente al 1-888-633-3528.

Nota importante: Si siente malestar, comuníquese con un profesional de lactancia, ya que tal vez necesite una copa para senos más grande o asesoría de otro tipo. Para localizar productos Medela o a un especialista en lactancia o en su región, llame al 1-800-TELL YOU.

Controles de la bomba Symphony®



* (Oprima este botón si la leche baja antes de que comience la fase de extracción. Consulte la página 29, paso 4, para conocer los detalles específicos.)

Tarjetas de programa Symphony®

Hay dos versiones de la tarjeta de programa Symphony: la tarjeta de programa Symphony original y la tarjeta de programa Symphony 2.0. A continuación se presentan instrucciones para ambas tarjetas.

Tarjeta de programa Symphony original

La tarjeta de programa Symphony original está programada para operar la extracción de leche en dos fases.

1 Pantalla.

Al apagar la bomba y conectarla a la fuente de corriente alterna, en la pantalla aparecerá el mensaje "Mains" (suministro eléctrico principal). Al usar batería para alimentar la bomba Symphony, la pantalla permanecerá en blanco hasta que encienda la bomba. El nivel de vacío se indica en la pantalla mediante gotas (fase de estimulación) y barras (fase de extracción).



2 Comience con la fase de estimulación

Oprima el botón ovalado para encender la bomba. La bomba comenzará de inmediato a bombear en la fase de estimulación. El nivel de vacío inicial se indica mediante una gota en la pantalla. La fase de estimulación siempre se limita a dos minutos.



3 Cambie a la fase de extracción.

La bomba cambiará a la fase de extracción de una de dos formas: 1) automáticamente, al transcurrir los dos minutos de la fase de estimulación, o 2) al oprimir el botón de bajada de leche. Deberá oprimir el botón de bajada de leche inmediatamente después de que salga la leche y seguir bombeando en la fase de extracción.



4 Nivel de vacío.

Al cambiar de la fase de estimulación a la de extracción, la bomba aumenta el nivel de vacío de manera automática, añadiendo tres barras al nivel de estimulación más reciente. *Este nivel de vacío puede incrementarse con la perilla reguladora de vacío.



Tarjeta de programa Symphony® 2.0

La tarjeta de programa Symphony 2.0 es una tarjeta de programa de segunda generación. Está programada para operar la extracción en dos fases de manera similar a la tarjeta de programa Symphony original. La tarjeta de programa Symphony 2.0 también hay nuevas características:

1 Nombre de la tarjeta de programa presentado en la pantalla.

La tarjeta de programa Symphony 2.0 presenta el nombre de la tarjeta (Symphony 2.0) en la pantalla al apagar la bomba y conectarla al suministro eléctrico de corriente alterna. Al usar batería para alimentar la bomba Symphony, la pantalla permanecerá en blanco hasta que encienda la bomba.



2 Nivel inicial mínimo de vacío

La tarjeta de programa Symphony 2.0 iniciará la bomba en la fase de estimulación. El nivel de vacío inicial al encender la bomba se indica visualmente con tres gotas en la pantalla. El nivel de vacío puede incrementarse o reducirse con la perilla reguladora de vacío.



3 Transición gradual de la fase de estimulación a la de extracción.

Al cambiar de la fase de estimulación a la de extracción, la tarjeta de programa Symphony 2.0 incrementa el nivel de vacío añadiendo tres barras al nivel de estimulación más reciente, en forma escalonada. El incremento de tres barras en el nivel de vacío ocurre de manera gradual en un lapso de cuatro segundos. La transición gradual elimina la posible incomodidad de un aumento repentino en el nivel de vacío.



4 Uso del botón de bajada de leche para regresar a la fase de estimulación.

La bomba de lactancia Symphony puede cambiar de la fase de estimulación a la de extracción de dos maneras: 1) automáticamente después de dos minutos, o 2) en forma manual, oprimiendo el botón de bajada de leche. Con la tarjeta de programa Symphony 2.0, también puede usarse el botón de bajada de leche para regresar a la fase de estimulación. Para obtener más información sobre esta función, consulte en este folleto la información del protocolo de bombeo en dos fases de la bomba Symphony.



Nota : La fase de estimulación siempre se limita a dos minutos. Si la salida de leche ocurre antes de que transcurran los dos minutos de la fase de estimulación, oprima el botón de bajada de leche y siga bombeando en la fase de extracción

5 El programa recuerda el nivel de vacío más reciente de la fase de estimulación

Al cambiar de nuevo a la fase de estimulación, la tarjeta de programa Symphony 2.0 recuerda el nivel de vacío más reciente utilizado en la fase de estimulación antes de cambiar a la fase de expresión, y regresa a este nivel en la fase de estimulación.



Protocolo de bombeo en dos fases de la bomba de lactancia Symphony

Vacío máximo cómodo

Las investigaciones han mostrado que usted podrá extraer más leche en menor tiempo, si bombea con el vacío máximo cómodo durante la fase de extracción.

1 Comience con la fase de estimulación

Primero, oprima el botón de encendido y apagado para encender la bomba. La bomba comenzará de inmediato a bombear en la fase de estimulación de la extracción en dos fases.



2 Cambie a la fase de extracción

Una vez que la leche comience a fluir o que sienta la salida de la leche, oprima el botón de bajada de leche para cambiar a la fase de extracción, en la cual el bombeo y la extracción de leche son más eficientes. Si no oprime el botón de bajada de leche, la bomba hará el cambio automático a la fase de extracción después de dos minutos.



3 Ajuste el vacío máximo cómodo

El vacío máximo cómodo es el nivel más alto de vacío que puede usar sin sentirse incómoda, y es distinto para cada mamá. Para encontrar su nivel de vacío máximo cómodo, aumente el vacío girando la perilla reguladora de vacío en sentido de las manecillas del reloj hasta que el bombeo se siente ligeramente incómodo, sin que llegue a ser doloroso. Luego reduzca el nivel de vacío una barra, girando la perilla en sentido contrario al de las manecillas.



Tarjeta de programa Symphony® 2.0 **Resolución de necesidades especiales**

La tarjeta de programa Symphony 2.0 tiene una función que permite a las madres oprimir el botón de bajada de leche para regresar a la fase de estimulación. Para algunas madres, esta función es útil para resolver las siguientes necesidades especiales. Tenga en cuenta que la fase de estimulación siempre se limita a dos minutos.

1 No hay salida de leche en los dos primeros minutos de la fase de estimulación

Si la leche no ha comenzado a salir en los dos primeros minutos de la fase de estimulación y la bomba cambia automáticamente a la fase de extracción, oprima el botón de bajada de leche una vez para volver a la fase de estimulación. Si después de dos fases de estimulación consecutivas no ha logrado que salga la leche, haga una pausa, relájese e intente de nuevo después de 15 a 30 minutos.

2 Hinchazón de los senos

Si debido a la hinchazón de los senos tiene dificultades para amamantar a su bebé o extraer leche, el uso cuidadoso de la fase de estimulación puede darle un poco de alivio. Si la leche no ha comenzado a salir en los dos primeros minutos de la fase de estimulación y la bomba cambia automáticamente a la fase de extracción, oprima el botón de bajada de leche para volver a la fase de estimulación. Repita este proceso hasta que la leche comience a salir. Después de que haya comenzado a salir la leche, puede ser benéfico para usted permanecer en la fase de estimulación hasta que haya extraído leche suficiente para reducir la dureza y la hinchazón del pezón y la zona de la areola. Después de extraer leche suficiente para aliviar las molestias, continúe con el amamantamiento o el bombeo en la fase de extracción para vaciar el seno. Aunque Medela recomienda enfáticamente el bombeo en la fase de extracción después de la salida de leche, usando el nivel de vacío máximo cómodo para lograr la extracción más eficaz de la leche, quizá sea necesario realizar el bombeo en la fase de estimulación para

resolver problemas de incomodidad temporal. Si el problema de hinchazón de los senos persiste o empeora, consulte a un médico o a un asesor de lactancia.

③ **Pezones doloridos**

Si debido a un problema de pezones doloridos siente molestias al bombear en la fase de extracción, el uso cuidadoso de la fase de estimulación puede darle un poco de alivio. Puede volver a la fase de estimulación en cualquier momento si oprime el botón de bajada de leche. Aunque Medela recomienda enfáticamente el bombeo en la fase de extracción después de la salida de leche, usando el nivel de vacío máximo cómodo para lograr la extracción más eficaz de la leche, quizá sea beneficioso realizar el bombeo en la fase de estimulación para resolver problemas de incomodidad temporal. Si el problema de pezones doloridos persiste o empeora, consulte a un médico o a un asesor de lactancia.

Nota importante:

Para lograr la mayor eficacia del bombeo y la extracción de leche, Medela recomienda enfáticamente realizar el bombeo en la fase de extracción con el nivel de vacío máximo cómodo después de que comience a salir la leche.

Almacenamiento de la leche materna

Consulte con el hospital para conocer las instrucciones de almacenamiento específicas

Al congelar la leche, no llene los recipientes a más de 3/4 de su capacidad, para dejar espacio libre suficiente para la expansión. Rotule los recipientes con la fecha en que extrajo la leche.

Almacenamiento de leche materna (para bebés de término saludables)					
	Temperatura ambiente	Hielera con tres paquetes de hielo	Refrigerador	Congelador independiente de refrigerador	Congelador de baja temperatura
Leche materna recién extraída	4 horas a 66-72°F (19-22°C) ¹	24 horas a 59°F (15°C) ¹	5 a 7 días a 32-39°F (0°-4°C) ²	3-4 meses ³	6 a 12 meses a 0°F (-19°C) ³
Leche materna descongelada	No la almacene	No la almacene	24 horas ⁴	Nunca vuelva a congelar la leche descongelada	Nunca vuelva a congelar la leche descongelada

¹ Hamosh M, Ellis L, Pollock D, Henderson T, y Hamosh P: Pediatrics, Vol. 97, Núm. 4, abril de 1996. págs. 492-497. (4 horas a 77° F/25° C).

² Sosa, Roberto; Barness, Lewis: AJDC, vol. 141, enero de 1987.

³ Lawrence R, y Lawrence R: Breastfeeding: A Guide For the Medical Profession, 1999, pág. 894.

⁴ Arnold L; Recommendations for Collection, Storage and Handling of a Mother's Milk for Her Own Infant in the Hospital Setting, 3ª edición. The Human Milk Banking Association of North America, Inc. 1999, pág. 18.

Nota importante: Si la temperatura de la habitación, el automóvil o al aire libre excede 77 °F (25 °C), entrie la leche de inmediato para preservar su frescura.

Descongelación

- Descongele la leche durante la noche en el refrigerador, o mantenga el biberón debajo de un chorro de agua tibia para descongelar la leche rápidamente. También puede colocar el recipiente cerrado herméticamente en un tazón de agua tibia durante 20 minutos para calentarla a la temperatura del cuerpo humano.
- La leche descongelada puede guardarse de manera segura durante 24 horas en el refrigerador.
No vuelva a congelar la leche descongelada.

Atención

- No descongele la leche materna en un horno de microondas ni en una olla con agua hirviendo.
- Nunca caliente la leche materna en un horno de microondas. La leche calentada en un horno de microondas puede causar graves quemaduras en la boca del bebé, como consecuencia de las zonas calientes que se forman en la leche durante el calentamiento con microondas. Además, las microondas pueden cambiar la composición de la leche materna.
- Si agrega leche recién extraída a un recipiente con leche congelada, asegúrese de añadir una cantidad de leche menor que la ya congelada.

Identificación y resolución de problemas

No hay succión o la succión es muy débil

- Compruebe que todas las conexiones de los accesorios y la bomba de lactancia estén firmes.
- Si utiliza la unidad con baterías, compruebe que las baterías estén cargadas.
- Compruebe que la membrana ajuste en forma plana contra el cabezal de la válvula. Consulte las instrucciones de armado.
- Compruebe que los extremos transparentes de la manguera estén firmemente ajustados en los conjuntos de copas para senos y que los extremos opuestos estén bien conectados a los orificios del conector de la bomba o a las tapas de las membranas.
- En Estados Unidos, llame a Medela al 800-435-8316 o 815-363-1166. En Canadá, llame a Medela al 800-435-8316 o 905-608-7272. En los demás países, comuníquese con el distribuidor de productos Medela en su localidad o con el lugar donde compró la bomba. Visítenos en la Internet, en www.medela.com.

Descripción técnica de la bomba Symphony®

⚠ INSTRUCCIONES DE SEGURIDAD



Equipo médico eléctrico, bomba de lactancia modelo Symphony® 600.0837 y 600.0838

**HOMOLOGADO PARA ELECTROCUCIÓN, INCENDIOS Y RIESGOS MECÁNICOS
ÚNICAMENTE DE CONFORMIDAD CON LAS NORMAS UL60601-1/CAN/CSA
C22.2. Núm. 601.1 22PL.**

PROTECCIÓN CLASE II



(Doble aislante)



Tipo B

VACÍO:

-50 mmHg a -250 mmHg

-7 kPa a -33 kPa

FUENTE DE PODER:

Toma eléctrica convencional:

100-240 V

50/60 Hz

0.5 A

DC Connection:

12 VDC

25 W

T2.5A



Baterías:

2 de 6 V, 1.2 Ah Tipo: Yuasa NP 1.2-6

Batería (opcional): Baterías,
alimentación de CC

Tiempo de carga = 12 horas

Tiempo de bombeo con batería
completamente cargada = aprox.

60 minutos



DESECHO:

Esta bomba de lactancia está
fabricada con plásticos técnicos y
metales que no pueden separarse.
Debe desecharse de conformidad con
los reglamentos locales.

GARANTÍA:

Tres años para la unidad a partir de la fecha de entrega, excluyendo el conjunto de la bomba y las baterías. El fabricante no será responsable por daños directos o consecuentes ocasionados por el funcionamiento incorrecto, el uso incorrecto o el uso por parte de personas no autorizadas. Las revisiones de rutina, el servicio y el intercambio de baterías sólo podrán ser efectuados por persona autorizada por Medela.

DIMENSIONES:

	Con base	Sin base
Longitud	16.1" (409 mm)	8.5" (216 mm)
Anchura	16.1" (409 mm)	6.1" (155 mm)
Altura	35.4" (900 mm)	9.6" (244 mm)

PESO:

Con baterías: 6 lb 7 oz (2.9 kg)

Sin baterías: 5 lb 1 oz (2.3 kg)

CONDICIONES AMBIENTALES PARA LA OPERACIÓN:

Temperatura: +41 °F a +104 °F

Humedad relativa: 20% a 80%

Presión atmosférica: 70 kPa a 106 kPa

CONDICIONES AMBIENTALES

TRANSPORTE Y ALMACENAMIENTO:

Temperatura: -4 °F a +122 °F (-20 °C a 50 °C)

Humedad relativa: 20% a 95% (-20 °C a 50 °C)

Presión atmosférica: 70 kPa a 106 kPa

NORMAS:

FDA (GMP)

ISO 9001

ISO 13485

CE (93/42/EEC)

INTERFERENCIA ELECTROMAGNÉTICA Y DE OTROS TIPOS:

Cumple las disposiciones de la norma
IEC 60601-1-2. Es poco probable que
interfiera con otros equipos eléctricos.



AVERTISSEMENTS IMPORTANTES

*Vous devez toujours suivre des mesures de sécurité de base
lorsque vous utilisez un appareil électrique, y compris
celles qui suivent :*

LISEZ TOUTES LES INSTRUCTIONS AVANT L'EMPLOI

DANGER : Pour réduire le risque de choc électrique :

1. Débranchez toujours l'appareil électrique immédiatement après avoir fini de l'utiliser. Le débranchement ne peut être fait qu'en déconnectant la fiche de la prise de courant.
2. N'utilisez pas l'appareil électrique lorsque vous êtes dans le bain ou sous la douche.
3. Ne l'immergez pas et ne le laissez pas tomber dans l'eau ni dans tout autre liquide.
4. Ne touchez pas à l'appareil électrique s'il est tombé dans l'eau.
Débranchez-le immédiatement.
5. Ne gardez pas l'appareil ni ne l'utilisez dans un endroit où il peut tomber dans un évier ou une baignoire.

MISE EN GARDE : Pour réduire le risque de brûlure, de choc électrique, d'incendie et de blessures :

1. Ne laissez jamais le tire-lait sans surveillance lorsqu'il est branché dans une prise de courant électrique.
2. N'utilisez le tire-lait que pour les usages expressément indiqués dans ce manuel.
3. N'utilisez pas d'ensembles-accessoires non recommandés par le fabricant, car cela peut causer des accidents.
4. Ne faites jamais fonctionner l'appareil électrique si le cordon d'alimentation ou la fiche sont endommagés, s'il ne fonctionne pas correctement, s'il a été échappé ou endommagé ou s'il a été submergé dans l'eau.
5. Gardez le cordon d'alimentation et toutes les pièces à bonne distance des surfaces chaudes.
6. N'utilisez pas l'appareil à l'extérieur.
7. N'utilisez le tire-lait Lactina ou Symphony qu'avec le cordon d'alimentation fourni avec l'appareil.
8. Cet ensemble-accessoires est destiné à un usage individuel et ne doit pas être partagé par plusieurs mères, à moins d'être adéquatement stérilisé entre les usages, afin de prévenir le risque de contamination.
9. Le tire-lait doit être nettoyé au besoin avec de l'eau et du détergent ou avec une solution Cavicide®. Ne vaporisez ni ne versez de liquide directement sur le tire-lait.

10. Une supervision est nécessaire lorsque ce produit est utilisé dans un endroit où il y a des enfants.
11. Assurez-vous que le voltage du transformateur est compatible avec la source d'alimentation.
12. Ne faites fonctionner le tire-lait que lorsque le moteur est en position verticale.
13. N'utilisez pas l'appareil pendant que vous dormez ou si vous êtes trop somnolente.
14. Le tire-lait Lactina® ou Symphony® ne comporte aucune pièce qui peut être réparée par l'utilisateur. N'ESSAYEZ PAS DE RÉPARER LE TIRE-LAIT LACTINA OU SYMPHONY VOUS-MÊME.

CONSERVEZ CES INSTRUCTIONS

Utilisations du tire-lait

- Mettre en route et maintenir une production de lait, et recueillir le lait lorsque vous devez vous absenter pour aller au travail ou sortir.
- Mettre en route et maintenir une production de lait si l'allaitement direct n'est pas possible.
- Soulager l'engorgement. L'expression simple avec massage simultané contribue à soulager l'engorgement.

Désinfection et stérilisation

Suivez les instructions ci-dessous, à moins d'avoir reçu des instructions différentes d'un professionnel de la santé.

IMPORTANT

Cet ensemble-accessoires est destiné à un usage individuel, à moins d'être adéquatement stérilisé entre les usagers. Son emploi par plus d'une personne sans stérilisation adéquate peut entraîner un risque pour la santé et annule la garantie.

Hygiène

Vous devez vous laver les mains avant de toucher à vos seins ou au tire-lait, et vous devez éviter de toucher l'intérieur des couvercles et des contenants.



Préparation

Suivez les instructions de désinfection suivantes, à moins que votre professionnel de la santé ne vous conseille de procéder autrement. Avant la désinfection, démontez toutes les pièces de l'ensemble-accessoires du tire-lait. Assurez-vous surtout d'enlever la valve jaune de la tétérille et de séparer la membrane blanche de la valve avant de désinfecter.

Avant d'utiliser l'appareil pour la première fois

La version aseptisée du *Symphonie* n'exige pas de nettoyage avant la première utilisation.

Stérilisation à l'hôpital :

Toutes les pièces démontées peuvent être autoclavées à une température maximale de 133 °C (272 °F) pendant 3 minutes sous une pression de 29 psi, ou de 121 °C (250 °F) pendant 15 à 20 minutes sous une pression de 15 psi. **Si stérilisé à l'autoclave le capuchon/membrane peut demander un peu plus de force pour l'enclencher au tire-lait.**

Pour éviter d'endommager le tire-lait pendant et immédiatement après la stérilisation :

- Stérilisez les pièces sans appliquer de pression externe dessus.
- Laissez refroidir les pièces avant d'appliquer une pression externe dessus.

Si on opte pour la stérilisation au gaz, il est recommandé de déterminer la période d'aération nécessaire en dosant les gaz résiduels.

Désinfection à domicile :

Démontez l'appareil en vous référant au diagramme de la page 6. Désinfectez les pièces en les faisant bouillir durant 10 minutes.

Après chaque utilisation :

- Démontez et lavez à l'eau tiède et au détergent toutes les pièces qui viennent en contact avec le sein ou avec le lait.
- Rincez à l'eau claire.
- Laissez sécher les pièces sur une serviette propre et recouvrez-les lorsqu'elles ne sont pas utilisées.

Toutes les pièces peuvent également être lavées dans le panier du haut du lave-vaisselle.

Pour un nettoyage plus rapide :

Medela offre des sacs Quick Clean^{MC} Micro-Steam^{MC} pour la désinfection quotidienne du tire-lait.

Entretien de la tubulure :

Inspectez la tubulure après chaque séance d'expression pour vérifier s'il y a de la condensation ou du lait.

S'il y a de la condensation dans la tubulure :

Pour éliminer la condensation après l'utilisation du tire-lait, continuez de faire fonctionner l'appareil avec la tubulure connectée pendant 1 à 2 minutes ou jusqu'à ce que la tubulure soit sèche.

S'il y a du lait dans la tubulure :

1. Arrêtez le tire-lait et débranchez-le de la prise de courant.
2. Enlevez et démontez la tubulure, la membrane protectrice et le capuchon de membrane. Lavez à l'eau et au détergent puis rincez à l'eau claire et froide.

3. Secouez la tubulure pour en faire sortir les gouttes d'eau résiduelles et suspendez-la pour la faire sécher. Pour un séchage plus rapide, connectez-la au tire-lait et faites-le fonctionner pendant 1 à 2 minutes ou jusqu'à ce qu'elle soit sèche, ou encore asséchez-la en y faisant passer une petite quantité d'alcool isopropylique.
4. Vérifiez que les membranes des valves sont intactes et propres. Remplacez-les si nécessaire.
5. Passez un linge humide sur le tire-lait et le diaphragme. N'immergez pas le tire-lait dans l'eau.
6. Lorsque les pièces sont complètement sèches, remontez le tire-lait et l'ensemble-accessoires.

Entretien de la batterie :

Avant d'utiliser le tire-lait Symphony® pour la première fois, il faut charger les batteries durant 12 heures.

Vous pouvez utiliser le tire-lait pendant que les batteries se chargent.

Les batteries se conserveront plus longtemps :

- Si elles ne sont pas complètement déchargées sur une base régulière.
- Si elles sont rechargées lorsqu'elles ne sont pas utilisées.

Si vous ne pouvez charger régulièrement les batteries, chargez-les durant 12 heures à tous les 2 mois au minimum.

Lorsque les batteries sont chargées à bloc, le tire-lait peut être utilisé durant environ 60 minutes.

Liste des pièces



Article

N° de commande

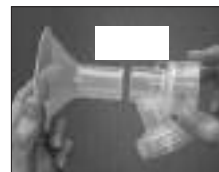
- | | |
|---|---------|
| 1. Téterelle PersonalFit ^{MC} , standard (24 mm) | 87073 |
| 2. Connecteur de téterelle PersonalFit ^{MC} | 87071 |
| 3. Valve et membrane | 8000001 |
| 4. Connecteur de collecte | 8117009 |
| 5. Couvercle de contenant rigide | 8107057 |
| 6. Tubulure | 8107168 |
| 7. Capuchon de membrane | 8100769 |
| 8. Membrane protectrice | 8200094 |
| 9. Guide d'information sur l'allaitement maternel | 1907200 |
| 10. Mode d'emploi, tire-lait Symphony | 1907724 |
| 11. Support de contenant Symphony | 8100552 |
| 12. Adaptateur pour l'allume-cigares Symphony | 67173 |

Appelez-nous pour connaître les prix

Assemblage et utilisation du tire-lait Symphony[®]

Assemblage du tire-lait

- 1 Suivez les instructions de nettoyage et désinfection qui figurent aux pages 39 et 40.
- 2 Introduisez la petite extrémité de chaque téterelle dans la petite extrémité du connecteur. (Avant le nettoyage, séparez ces deux pièces.)
- 3 Enclenchez chacune des membranes blanches sur la valve jaune jusqu'à ce que la membrane soit complètement à plat. (Avant le nettoyage, séparez ces deux pièces.)
- 4 Mettez les valves en place sur les connecteurs/téterelles.
- 5 Vissez les contenants sur les connecteurs/téterelles.
- 6 Introduisez l'extrémité transparente de la tubulure dans l'ouverture du connecteur/téterelle.
- 7 Fixez les membranes protectrices sur les capuchons de membrane. Introduisez les extrémités triangulaires de la tubulure dans les petites ouvertures des capuchons de membrane.



- ⑧ Pour déverrouiller le boîtier, appuyez sur le bouton de dégagement situé sur le dessus du tire-lait Symphony®. Tout en gardant le bouton appuyé, soulevez le couvercle en tirant sur la poignée pour accéder au mécanisme du tire-lait.



- ⑨ Pousser le capuchon/membrane en place sur le tire-lait. Vous entendrez un léger clic une fois correctement enclenché. Pour un ajustement adéquat, alignez bien l'ouverture du capuchon/membrane avec le sillon pour le recevoir.



- ⑩ Branchez le tire-lait Symphony à une prise de courant en introduisant le cordon d'alimentation à la fiche sur l'appareil et en le raccordant à une prise de courant (ou chargez sa batterie le cas échéant).



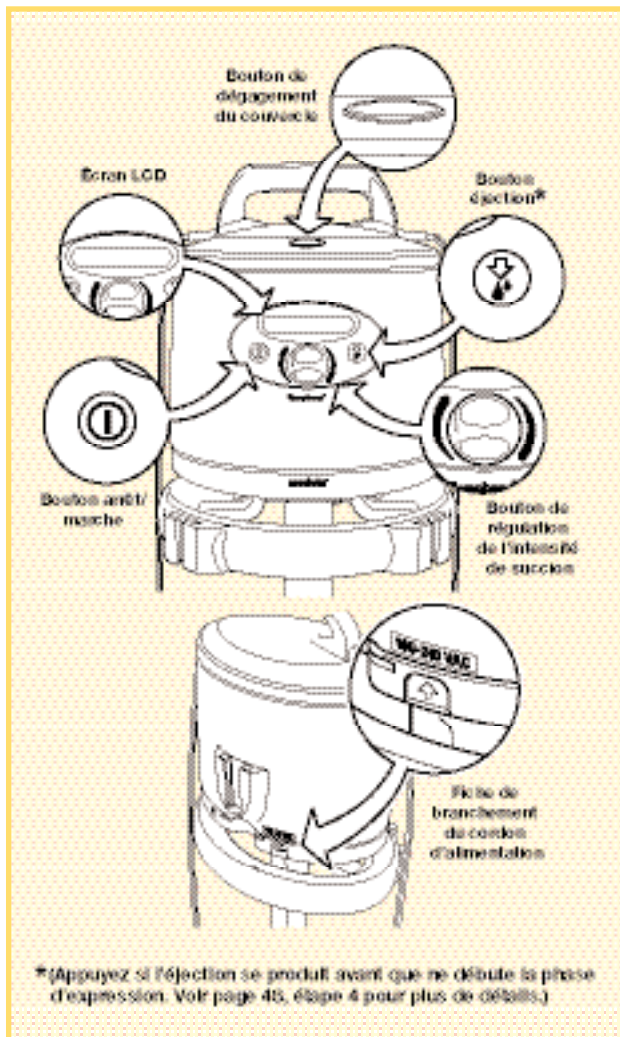
- ⑪ Centrez les tétérelles sur vos mamelons. Allumez le tire-lait en appuyant sur le bouton de mise en marche pour débiter la phase stimulation. Vous pouvez régler l'intensité de la succion au niveau où vous êtes le plus confortable en tournant le bouton de réglage de l'intensité de succion. Après un délai de deux mi-minutes, le tire-lait passe automatiquement de la phase stimulation à la phase expression, et vous pouvez alors régler l'intensité de la succion. Pour exprimer d'un seul sein, il vous suffit d'enlever une des deux tétérelles.



Note importante : Les ensembles-accessoires sont vendus séparément. Pour obtenir la liste complète des ensembles-accessoires qui sont compatibles avec le tire-lait Symphony, veuillez consulter le Catalogue Medela ou communiquer avec le Service à la clientèle en composant le 1-888-633-3528.

Note importante : Si vous éprouvez de l'inconfort, communiquez avec une spécialiste en lactation, car vous pourriez avoir besoin d'une tétérelle plus grande ou de conseils. Pour obtenir les coordonnées d'un fournisseur de produits Medela ou d'une spécialiste en lactation dans votre région, composez le 1-800-TELL YOU.

Commandes du tire-lait



* (Appuyez si l'éjection se produit avant que ne débute la phase d'expression. Voir page 45, étape 4 pour plus de détails.)

Cartes-programmes Symphony®

Il existe deux versions de la carte-programme Symphony® : la carte-programme Symphony originale et la carte-programme Symphony 2.0. Voici les instructions d'utilisation pour ces deux cartes.

Carte-programme Symphony originale

La carte-programme Symphony originale est programmée pour exécuter l'expression double phase.

1 Écran ACL.

Lorsque l'appareil est éteint et connecté à une prise de courant, l'écran ACL affiche « Mains ». Lorsque le tire-lait fonctionne avec des piles, l'écran ACL reste vide jusqu'à ce que l'appareil soit allumé. L'intensité de succion est indiquée sur l'écran ACL par des gouttes (phase stimulation) et des barres (phase expression).



2 Début avec la phase expression.

Allumez l'appareil en appuyant sur le bouton d'arrêt/marche. Le tire-lait commencera automatiquement à fonctionner dans la phase stimulation. L'intensité de succion initiale sera indiquée par une goutte sur l'écran ACL. La phase stimulation est toujours limitée à deux minutes.



3 Passage à la phase expression.

Le tire-lait passe à la phase expression selon deux modalités possibles : 1) automatiquement, après que les deux minutes de la phase stimulation se soient écoulées, ou 2) si vous appuyez sur le bouton éjection. Vous devez appuyer sur le bouton éjection immédiatement après l'éjection du lait et continuer à exprimer dans la phase expression.



4 Intensité de succion.

Lorsque le tire-lait passe de la phase stimulation à la phase expression, l'intensité de succion augmente automatiquement (trois nouvelles barres apparaissent sur l'écran ACL). *Cette intensité de succion peut être augmentée au moyen du bouton de réglage de l'intensité de succion.



Carte-programme Symphony® 2.0

La carte-programme Symphony® 2.0 est la carte-programme de deuxième génération. Elle est programmée pour exécuter l'expression double phase de façon similaire à la carte-programme Symphony originale. Elle comporte toutefois certaines caractéristiques additionnelles :

1 Affichage du nom de la carte-programme sur l'écran ACL.

Le nom de la carte-programme (Symphony 2.0) s'affiche sur l'écran ACL lorsque le tire-lait est éteint et connecté à une prise de courant. Lorsque le tire-lait fonctionne avec des piles, l'écran ACL reste vide jusqu'à ce que l'appareil soit allumé.



2 Intensité de succion minimum initiale.

Avec la carte-programme Symphony 2.0, l'appareil démarre dans la phase stimulation. L'intensité de succion initiale lorsque l'appareil est mis en marche est indiquée visuellement par 3 gouttes sur l'écran ACL. L'intensité de la succion peut être augmentée ou diminuée au moyen du bouton de réglage de la succion.



3 **Transition progressive de la phase stimulation à la phase expression.**

Lorsque le tire-lait passe de la phase stimulation à la phase expression, la carte-programme Symphony 2.0 augmente graduellement l'intensité de succion visualisée sur l'écran ACL par l'ajout de trois barres. L'apparition des trois barres additionnelles et l'augmentation de l'intensité de succion ont lieu graduellement, sur un intervalle de 4 secondes. Cette transition progressive élimine le risque d'inconfort dû à une augmentation brusque de l'intensité de succion.



4 **Utilisation du bouton éjection pour revenir à la phase stimulation.**

Le tire-lait Symphony peut passer de la phase stimulation à la phase expression selon deux modalités : 1) automatiquement, après 2 minutes, ou 2) manuellement grâce au bouton éjection. Avec la carte-programme Symphony 2.0, le bouton éjection peut aussi être utilisé pour revenir à la phase stimulation. Pour plus d'information sur cette fonction, veuillez consulter la section de ce livret qui correspond au Protocole d'expression double phase avec le tire-lait Symphony.



Note : La phase stimulation est toujours limitée à deux minutes. Si l'éjection du lait se produit avant que les deux minutes de la phase stimulation se soient écoulées, appuyez sur le bouton éjection et continuez d'exprimer dans la phase expression.

5 **Le programme garde en mémoire la dernière intensité de succion.**

Lorsqu'on revient à la phase stimulation, la carte-programme garde en mémoire la dernière intensité de succion utilisée avant le passage à la phase expression et revient à cette intensité dans la phase stimulation.



Protocole d'expression à double phase avec le tire-lait Symphony

Succion Maximum Confort^{MC}

La recherche montre que l'expression du lait est plus efficace (l'écoulement du lait en une période de temps donnée est maximal) lorsque la mère exprime à l'intensité de succion maximum à laquelle elle est confortable, dans la phase expression.

1 **Commencez avec la phase stimulation**

Allumez l'appareil en appuyant sur le bouton marche/arrêt. L'appareil commencera immédiatement dans la phase stimulation de l'expression double phase.



2 **Passez à la phase expression**

Lorsque le lait commence à couler ou que vous sentez qu'il y a eu éjection, appuyez sur le bouton éjection pour passer à la phase expression afin que l'expression du lait soit optimale. Si vous n'appuyez pas sur le bouton éjection, l'appareil passera automatiquement à la phase expression au bout de deux minutes.



3 **Réglez votre Succion Maximum Confort^{MC}**

La Succion Maximum Confort est le niveau de succion le plus élevé que vous pouvez utiliser tout en étant confortable. Ce niveau varie d'une mère à l'autre. Pour le trouver, augmentez l'intensité de succion en tournant le bouton de réglage de la succion dans le sens des aiguilles d'une montre jusqu'à ce que l'expression commence à être légèrement inconfortable (mais surtout pas douloureuse). Diminuez ensuite légèrement l'intensité de succion en tournant le bouton dans le sens contraire des aiguilles d'une montre.



Carte-programme Symphony 2.0 - Réponse à des besoins particuliers

La carte-programme Symphony 2.0 permet à la mère de revenir à la phase stimulation en appuyant sur le bouton éjection. Cette fonction est très utile pour certaines mères car elle permet de répondre aux besoins particuliers ci-dessous. À noter que la phase stimulation est toujours limitée à deux minutes.

1 Aucune éjection du lait au cours des deux minutes de la phase stimulation

S'il n'y a pas d'éjection du lait dans les deux minutes que dure la phase stimulation et que l'appareil passe automatiquement à la phase expression, appuyez sur le bouton éjection pour revenir à la phase stimulation. Si vous n'obtenez pas d'éjection du lait après deux phases de stimulation consécutives, faites une pause, détendez-vous et essayez 15 à 30 minutes plus tard.

2 Engorgement

Si, en raison d'un engorgement mammaire, vous avez de la difficulté à allaiter ou à exprimer votre lait, le recours prudent à la phase stimulation pourrait être utile. S'il n'y a pas d'éjection du lait dans les deux minutes que dure la phase stimulation et que l'appareil passe automatiquement à la phase expression, appuyez sur le bouton éjection pour revenir à la phase stimulation. Répétez l'opération jusqu'à ce qu'il y ait éjection du lait. Une fois l'éjection obtenue, vous aurez avantage à rester dans la phase stimulation jusqu'à ce qu'une quantité suffisante de lait ait été exprimée, pour que le mamelon et l'aréole ne soient plus aussi durs et engorgés. Après ce premier drainage du sein visant à soulager l'inconfort, poursuivez avec l'allaitement ou l'expression en phase expression. Bien que Medela recommande fortement d'utiliser le tire-lait dans la phase expression à la Succion Maximum Confort^{MC} après l'éjection pour optimiser le drainage, il peut parfois être nécessaire de recourir à l'expression en phase stimulation pour régler certains problèmes d'inconfort temporaires. Si l'engorgement persiste ou s'aggrave, consultez votre médecin ou consultante en allaitement.

3 Mamelons douloureux

Si, en raison de mamelons douloureux, vous éprouvez de l'inconfort à exprimer dans la phase expression, le recours prudent à la phase stimulation pourrait être utile. Vous pouvez revenir à la phase stimulation à n'importe quel moment en appuyant sur le bouton éjection. Bien que Medela recommande fortement d'exprimer le lait dans la phase expression à la Succion Maximum Confort^{MC} après l'éjection pour optimiser le drainage, il peut parfois être nécessaire de recourir à l'expression en phase stimulation pour régler certains problèmes d'inconfort temporaires. Si l'engorgement persiste ou s'aggrave, consultez votre médecin ou consultante en allaitement.

Note importante :

Pour une expression et un drainage optimaux du lait maternel, Medela recommande fortement d'exprimer le lait dans la phase expression à la Succion Maximum Confort^{MC} une fois l'éjection du lait obtenue.

Conservation du lait maternel

Veillez vous adresser à votre hôpital pour obtenir des informations détaillées sur la conservation du lait maternel.

Lorsque vous congélez le lait maternel, ne remplissez les contenants qu'aux 3/4 pour permettre l'expansion du lait durant la congélation. Identifiez chaque contenant avec une étiquette indiquant la date à laquelle le lait a été exprimé. extrajo la leche.

Conservation du lait maternel (pour les bébés en bonne santé nés à terme)					
	Température ambiante	Glacière avec 3 éléments refroidisseurs	Réfrigérateur	Congélateur d'un réfrigérateur	Congélateur indépendant
Lait maternel fraîchement exprimé	4 heures à 19-22 °C (66-72 °F) ¹	24 heures à 15 °C (59 °F) ¹	5-7 jours à 0-4 °C (32-39 °F) ²	3-4 mois ³	6-12 mois à -19 °C (0 °F) ³
Lait maternel décongelé (préalablement congelé)	Ne pas garder	Ne pas garder	24 heures ⁴	Ne jamais recongeler du lait maternel décongelé	Ne jamais recongeler du lait maternel décongelé

¹ Hamosh M, Ellis L, Pollock D, Henderson T et Hamosh P : Pediatrics, vol. 97, no 4, avril 1996, pp. 492-497. (4 heures à 25 °C ou 77 °F).

² Sosa, Roberto; Barness, Lewis : AJDC, Vol. 141, jan. 1987.

³ Lawrence R et Lawrence R : Breastfeeding : A Guide For the Medical Profession, 1999, p. 894.

⁴ Arnold L : Recommendations for Collection, Storage and Handling of a Mother's Milk for Her Own Infant in the Hospital Setting, 3e édition. The Human Milk Banking Association of North America, Inc. 1999, p. 18.

Note importante : Si la température dans la pièce, dans l'auto ou à l'extérieur dépasse 25 °C (77 °F), refroidissez immédiatement le lait pour en préserver la fraîcheur.

Comment décongeler le lait maternel

- Vous devez décongeler le lait maternel en le mettant au réfrigérateur pour la nuit ou en tenant le contenant sous l'eau tiède. Vous pouvez aussi placer le contenant hermétiquement fermé dans un bol d'eau modérément chaude pendant 20 minutes pour l'amener à la température corporelle.
- Le lait décongelé peut être gardé au réfrigérateur pendant 24 heures.
Ne jamais recongeler du lait maternel décongelé.

Avertissement :

- Il ne faut jamais décongeler le lait maternel au four à micro-ondes ou dans une casserole d'eau bouillante.
- Ne réchauffez jamais le lait maternel au four à micro-ondes. Les micro-ondes peuvent provoquer des brûlures graves pour le bébé à cause d'un réchauffement inégal du lait. De plus, les micro-ondes altèrent la composition du lait maternel.
- Si vous ajoutez du lait fraîchement exprimé à du lait déjà congelé, la quantité de lait frais que vous ajoutez doit être plus petite que la quantité de lait déjà congelé.

Trucs de dépannage

Si l'n'y a pas de succion ou si la succion est trop faible :

- Vérifiez que tous les raccords de l'ensemble-accessoires et du tire-lait sont solidement attachés.
- Si vous utilisez une batterie, vérifiez qu'elle est bien chargée.
- Assurez-vous que la membrane blanche repose à plat sur la tête de valve jaune. Veuillez consulter les instructions d'assemblage.
- Assurez-vous que les extrémités transparentes de la tubulure sont bien connectées à l'arrière des têterelles et que les autres extrémités sont reliées aux orifices sur le capuchon de diaphragme ou sur le connecteur du tire-lait.
- Aux États-Unis, appelez Medela au 1 800 435-8316 ou au (815) 363-1166. Au Canada, appelez Medela au 1-800-435-8316 ou au (905) 608-7272. Dans les autres pays, communiquez avec votre distributeur local ou avec le détaillant où vous avez acheté le tire-lait. Vous pouvez également consulter notre site Web à l'adresse www.medela.com.

Description technique du tire-lait

INSTRUCTIONS RELATIVES À LA SÉCURITÉ



Matériel électrique médical, tire-lait de modèle Symphony® 600.0837 et 600.0838

CLASSIFIÉ À L'ÉGARD DU RISQUE DE CHOC ÉLECTRIQUE, D'INCENDIE ET DE RISQUE MÉCANIQUE SEULEMENT EN CONFORMITÉ AVEC UL60601-1/CAN/CSA C22.2 No 601.1 22PL.

CLASSE DE PROTECTION II



(Double isolation)



Type B

VIDE :

-50 mmHg – -250 mmHg
-7 kPa – -33 kPa

ALIMENTATION ÉLECTRIQUE :

Prise de courant standard :

100-240 V
50/60 Hz
0,5 A

DC Connection:

120 V
50/60 Hz
0,12 A



Batterie :

2 x 6 V, 1,2 Ah Type: Yuasa NP 1.2-6
Batterie (en option) :

Batterie, courant continu
Temps de charge = 12 heures
Durée d'expression avec batterie
chargée à bloc = approx. 60 minutes



DIMENSIONS :

	Avec support	Sans support
Longueur	40,9 cm (16,1")	21,6 cm (8,5")
Largeur	40,9 cm (16,1")	15,5 cm (6,1")
Hauteur	89,9 cm (35,4")	24,4 cm (9,6")

POIDS :

Avec batterie : 2,92 kg (6 lb 7 oz)
Sans batterie : 2,3 kg (5 lb 1 oz)

CONDITIONS D'UTILISATION :

Température : +5 °C (+41 °F) à +40 °C (104 °F)
Humidité relative : 20 % à 80 %
Pression atmosphérique : 70 kPa à 106 kPa

CONDITIONS DE TRANSPORT ET D'ENTREPOSAGE :

Température : -20 °C (-4 °F) à +50 °C (+122 °F)
Humidité relative : 20 % à 95 %
Pression atmosphérique : 70 kPa à 106 kPa

NORMES :

FDA (GMP)
ISO 9001
ISO 13485
CE (93/42/EEC)

INTERFÉRENCES ÉLECTROMAGNÉTIQUES OU AUTRES :

Conforme à IEC 60601-1-2. Peu susceptible de causer des interférences avec d'autres appareils électriques.

MISE AU REBUT :

Cet appareil est fait de plastiques et de métaux techniques qui ne peuvent être séparés. Il doit être mis au rebut en conformité avec la réglementation locale.

GARANTIE :

La garantie est de 3 ans à compter de la date de livraison sur l'unité de base, à l'exclusion de l'ensemble-accessoires et de la batterie. Le fabricant n'assume aucune responsabilité pour tout dommage direct ou indirect résultant d'une utilisation incorrecte ou non conforme, ou d'une utilisation par des personnes non autorisées. Les vérifications de routine, les réparations et l'échange de batterie ne peuvent être faits que par le personnel autorisé de Medela.



Medela and Symphony are registered trademarks of Medela in the USA. PersonalFit is a trademark of Medela, Inc. in the USA and in other countries. Applications for registration of Medela is pending in other countries.

Medela y Symphony son marcas registradas de Medela en EE.UU. PersonalFit es una marca comercial de Medela, Inc. en EE.UU. y otros países. Solicitudes de registro de Medela en trámite en otros países.

Medela et Symphony sont des marques déposées de Medela aux États-Unis. PersonalFit est une marque de commerce de Medela, Inc. aux États-Unis et dans d'autres pays. Des demandes d'enregistrement de Medela sont en instance dans d'autres pays. Brevet additionnel en instance. Tous droits réservés.



www.medela.com

Medela, Inc.,
P.O. Box 660, McHenry, IL
60051-0660, USA
Ph/Tel./Tél.: 1-800-435-8316
Fax/Télé.: 1-815-363-1246
Email/Correo electrónico/Courriel:
customer.service@medela.com

Medela Canada, Inc.,
4090B, Sladeview Crescent,
Unit 2, Mississauga, Ontario,
Canada L5L 5Y5
Ph/Tel./Tél.: 1-905-608-7272
Fax/Télé.: 1-905-608-8720
Email/Correo electrónico/Courriel:
info@medela.ca